

Ethernet Switch Ha-VIS FTS 3000s

Industrial Ethernet Switch Ha-VIS FTS 3100s-A



Advantages

- Identification, acceleration and preference for automation frames
- Deterministic data transfer for selected profiles
- Ethernet Switch acc. IEEE 802.3
- Fast Track Switching Mode, Store-and-forward switching mode
- Robust metal housing
- Individually configurable via USB
- RoHS conform

General Descripton

The Fast Ethernet switches of the product family HARTING Ha-VIS FTS 3000s can identify automation profiles (e.g PROFINET, EtherNet/IP, Modbus TCP and customized profiles), accelerate their data transmission and prefer them. They are suitable for industrial applications. The product family enables the connection of up to 10 network devices over shielded Twisted Pair. It supports Ethernet (10 Mbit/s) and Fast Ethernet (100 Mbit/s).

The Ethernet Switch works as an unmanaged switch in Fast Track Switching- and store-and-forward-mode. It supports Auto-crossing, Auto-negotiation and Auto-polarity.

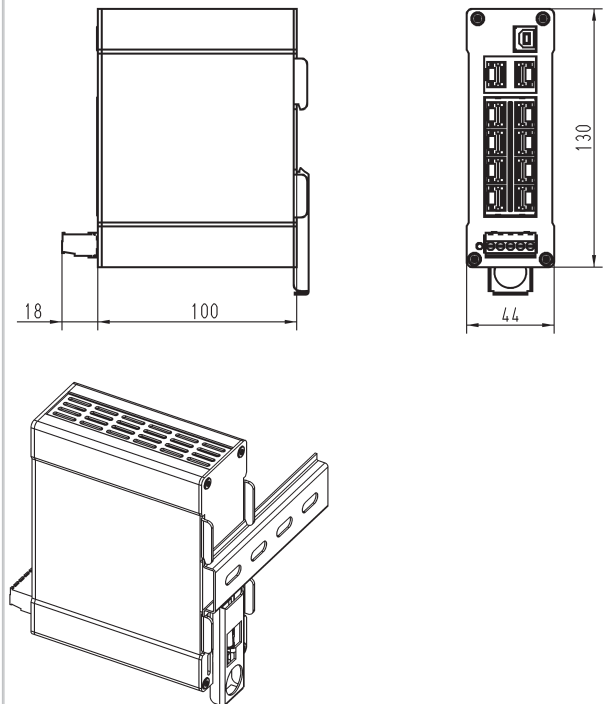
Identification

- Ha-VIS FTS 3100s-A
Ethernet Switch, 10 RJ45 ports
for top hat mounting rail

Part number

20 78 110 1000

Drawing



Ethernet Switch Ha-VIS FTS 3000s

Technical characteristics

Features	<ul style="list-style-type: none"> • Auto-crossing • Auto-negotiation • Auto-polarity • Store and forward switching mode • Fast track switching mode
Power Supply	
Voltage	<ul style="list-style-type: none"> • 24 V DC
Permissible range	<ul style="list-style-type: none"> • 12 V to 48 V
Input current	<ul style="list-style-type: none"> • 270 mA (at 24 V DC)
Power supply termination	<ul style="list-style-type: none"> • 5-pole pluggable screw contact, for redundant power supply
Diagnostics (via LED)	<ul style="list-style-type: none"> • Power Supply ok: green • Low Voltage: red
Parameterisation via USB	
	<ul style="list-style-type: none"> • Auto-negotiation • 10/100 Mbit/s • Full/Half Duplex • Port enable/disable • Port mirroring • Flow Control • FTS Port enable/disable • Industrial Profile (PROFINET, EtherNet/IP, Modbus TCP, customized) • NRT Bandwidth Control
Ethernet interface RJ45	
Number of ports	<ul style="list-style-type: none"> • 10
Cables types according to IEEE 802.3	<ul style="list-style-type: none"> • Shielded Twisted Pair (STP) or Unshielded Twisted Pair (UTP), Category 5
Data rate	<ul style="list-style-type: none"> • 10 MBit/s or 100 MBit/s
Maximum cable length	<ul style="list-style-type: none"> • 100 m /Twisted Pair, with Category 5 cable acc. to DIN EN 50 173-1
Termination	<ul style="list-style-type: none"> • RJ45 /Twisted Pair
Diagnostics (via LED)	<ul style="list-style-type: none"> • Status Link – green • Status Data Transfer (Act) – green flashing • Data Transmission rate (Speed) – 100 Mbit/s: yellow / 10 Mbit/s: OFF
Topology	<ul style="list-style-type: none"> • Line, star or mixed
Design features	
Housing material	<ul style="list-style-type: none"> • Aluminium, anodized
Dimensions (W x H x D)	<ul style="list-style-type: none"> • 44 x 130 x 100 mm (without connectors)
Degree of protection acc. to DIN 60529	<ul style="list-style-type: none"> • IP 30
Mounting	<ul style="list-style-type: none"> • 35mm top-hat rail acc. to EN 60715
Weight	<ul style="list-style-type: none"> • Panel mounting, vertical assembly • Approx. 0.5 kg
Environmental conditions	
Operating temperature	<ul style="list-style-type: none"> • 0°C ... +55°C
Storage temperature	<ul style="list-style-type: none"> • -40°C ... +85°C
Relative humidity	<ul style="list-style-type: none"> • 30 % ... 90 % (non condensing)

