

Identification

Part-Number

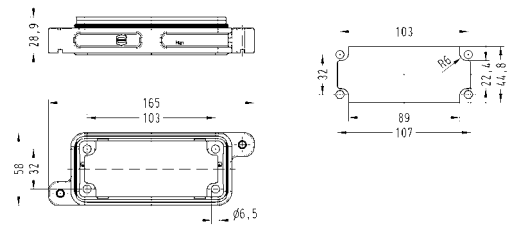
Drawing

Dimensions in mm

Bulkhead mounted housing

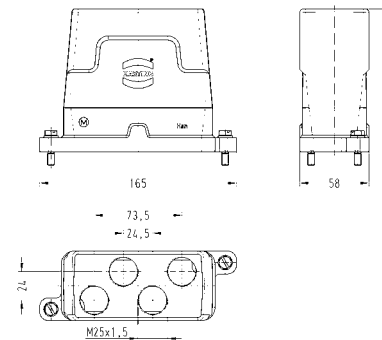
09 40 016 0368

Panel cut out



Hood

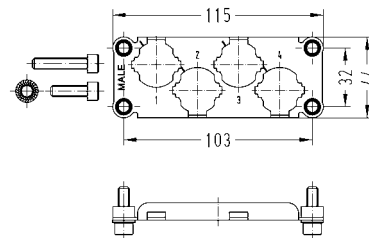
19 40 016 0478



Frames

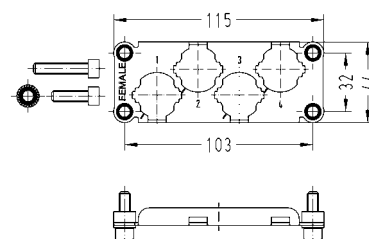
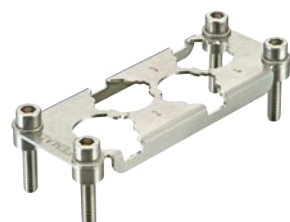
4 poles, male

09 11 000 9937



4 poles, female

09 11 000 9938



General description

- High current connector, 4 poles, size 16 B
- Robust and compact design
- Large cabling space
- Possibility to be equipped with 4 Han® HC Modular 250 contacts
- 4 x M25 cable entries

Technical Characteristics

Hoods/ housing bulkhead mounting	
Material	aluminium die cast
Surface	powder coated, RAL 9005, black
Locking	screw locking M6 stainless steel
Limiting temperatures	-40 °C ... +125 °C
Protection degree acc. to DIN EN 60 529 in locked position	IP 68 / IP 69K
 Frames	
Version	4 poles for Han® HC Modular 250
Material	stainless steel

Features

- High contact density within a small space
- Suitable for harsh environments
- Highly EMC resistant
- Suitable for sensitive interconnections that have to be protected and shielded

