



Han® PushPull RJ45 Genderchanger metal
Cat. 6 / Class E

Advantages

- High degree of protection IP 65 / IP 67
- Robust metal housing
- Standard PROFINET component of the German automotive production

Application

- Allows usage of different cable types (Type B, C) e.g. in robots application
- Extension of cords according to PROFINET guideline

Identification

Part No.

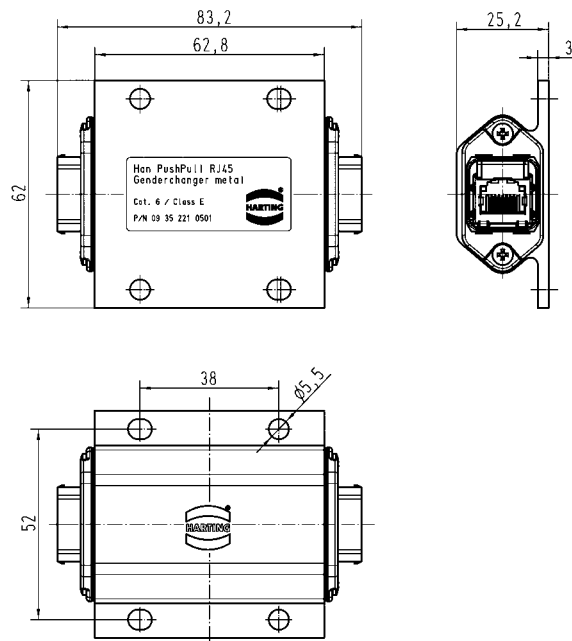
Drawing

Dimensions in mm

Han® PushPull RJ45
Genderchanger metal
including housing and printed board
with 2 x RJ45 jack



09 35 221 0501



Technical characteristics

| | |
|--|--|
| Transmission performance | Cat. 6 / Class E up to 250 MHz |
| Connector | Han® PushPull RJ45 (PROFINET conform) |
| Locking | PushPull technology acc. to IEC/PAS 61076-3-117 Variant 14 |
| Mating face | RJ45 acc. to IEC 60603-7 |
| Mating cycles | min. 750 |
| Housing material | Aluminium anodized |
| Dimensions | 83.2 x 62 x 25.2 mm (unmated) |
| Degree of protection acc. to DIN 60529 | IP 65 / IP 67 (mated) |
| Mounting | Wall mountable with 4 screws (type M5) |
| Temperature range | -20 °C ... +70 °C |
| Maximum permissible humidity | 30 % ... 95 % (no condensation) |



Han® PushPull L Power 4/0 Genderchanger metal

Advantages

- High degree of protection IP 65 / IP 67
- Robust metal housing
- Standard PROFINET component of the German automotive production

Application

- Allows usage of different cable types (Type B,C) e.g. in robots application
- Extension of cords according to PROFINET guideline

Identification

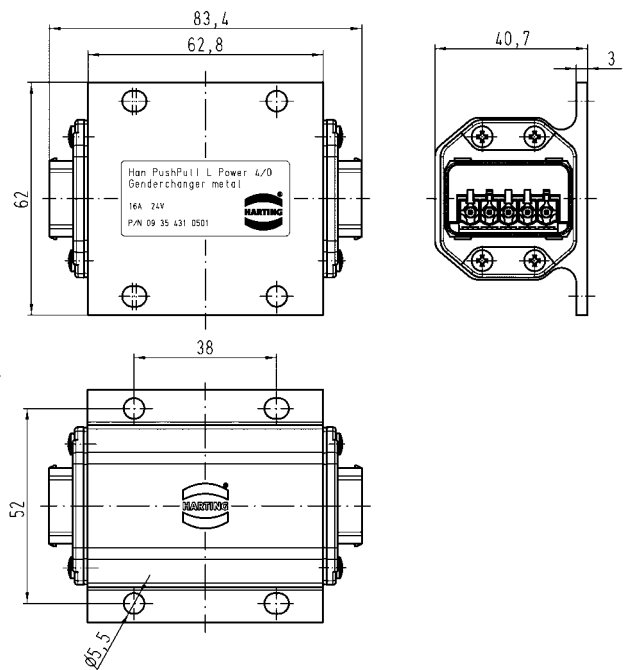
Part No.

Drawing

Dimensions in mm

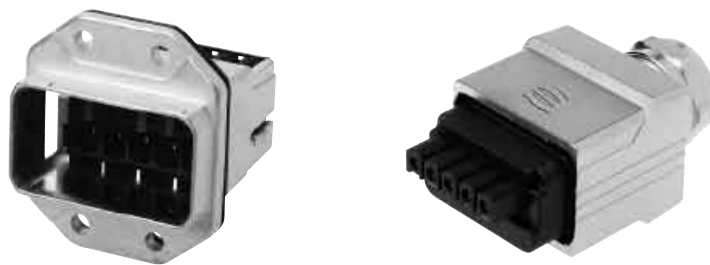
Han® PushPull L Power 4/0 Genderchanger metal
including housing and printed board with 2 x male insert with solder termination

09 35 431 0501



Technical characteristics

| | |
|--|--|
| Connector | Han® PushPull L Power 4/0 |
| Locking | PushPull technology acc. to IEC/PAS 61 076-3-117 |
| Electrical transmission | 16 A / 24 V |
| Number of contacts | 5 |
| Mating cycles | min. 500 |
| Housing material | Aluminium anodized |
| Dimensions | 83.4 x 62 x 40.7 mm (unmated) |
| Degree of protection acc. to DIN 60529 | IP 65 / IP 67 (mated) |
| Mounting | Wall mountable with 4 screws (type M5) |
| Temperature range | -20 °C ... +50 °C |
| Maximum permissible humidity | 30 % ... 95 % (no condensation) |



Connector, 5-poles, 24 V, 16 A

Features

- HARTING PushPull technology
- Touch-proof
- Cable side: female insert
- spring force connection
- Device side: male insert
- spring force connection
- AIDA-conform
(German Domestic Automobile Manufactures)

Technical characteristics

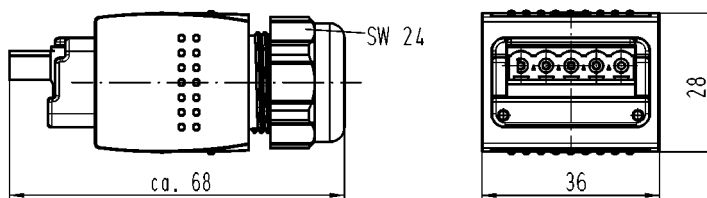
| | |
|--------------------------------------|---|
| Locking | PushPull technology acc. to IEC/PAS 61076-3-117 |
| Degree of protection | IP 65 / IP 67 |
| Number of contacts | 4 + PE |
| Electrical data acc. to DIN EN 61984 | 16 A, 24 V, 4 kV 3 |
| Termination | Spring force connection |
| Termination cross section | 0.75 ... 2.5 mm ² |
| Mating cycles | min. 500 |
| Temperature range | -40 °C ... +70 °C |
| Cable diameter | 9 – 13 mm |
| Housing material | Zinc die-cast, nickel plated |

Identification Part No. Drawing Dimensions in mm

Connector set, metal
incl. housing
and female insert
with spring force connection

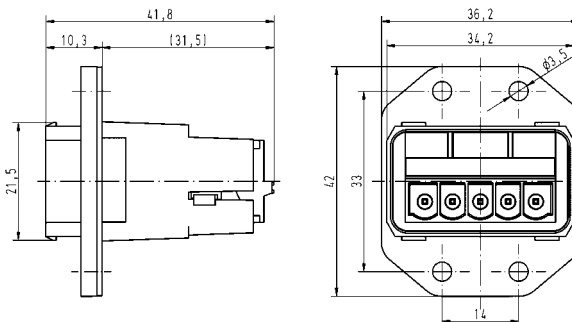


09 35 431 0401



Panel feed-through,
metal
incl. housing and male insert
with spring force connection

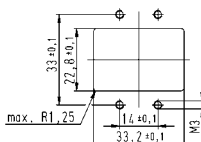
09 35 431 0311

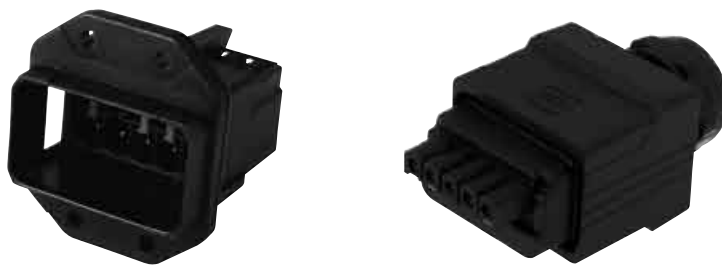


Protection cover IP 65 / IP 67
for device side

09 35 004 5401

Panel cut out





Connector, 5-poles, 24 V, 16 A

Features

- HARTING PushPull technology
- Touch-proof
- Cable side: female insert
- spring force connection
- Device side: male insert
- spring force connection
- AIDA-conform
(German Domestic Automobile Manufactures)

Technical characteristics

| | |
|--------------------------------------|---|
| Locking | PushPull technology acc. to IEC/PAS 61076-3-117 |
| Degree of protection | IP 65 / IP 67 |
| Number of contacts | 4 + PE |
| Electrical data acc. to DIN EN 61984 | 16 A, 24 V, 4 kV 3 |
| Termination | Spring force connection |
| Termination cross section | 0.75 ... 2.5 mm ² |
| Mating cycles | min. 500 |
| Temperature range | -40 °C ... +70 °C |
| Cable diameter | 9 – 13 mm |
| Housing material | Plastic, black |
| Flammability acc. to | UL 94 V0 |

Identification

Part No.

Drawing

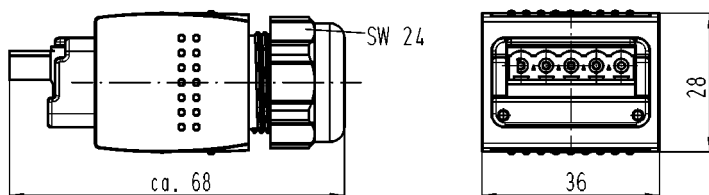
Dimensions in mm

Connector set, plastic

incl. housing and female insert with spring force connection



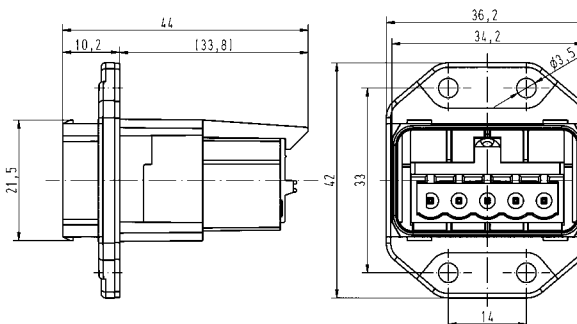
09 35 431 0421



Panel feed-through, plastic

incl. housing and male insert with spring force connection

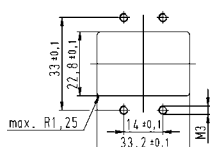
09 35 431 0331



Protection cover IP 65 / IP 67 for device side

09 35 004 5401

Panel cut out





Han® PushPull,
type acc. to IEC/PAS 61 076-3-117 variant 14
Accessories

| Identification | Part No. | Drawing | Dimensions in mm |
|--|----------------|---------|------------------|
| Han® PushPull protection cover IP 40 for device side | 09 35 002 5401 | | |
| Han® PushPull protection cover IP 40 for cable side | 09 35 002 5412 | | |
| Han® PushPull protection cover IP 65 / IP 67 for device side | 09 35 002 5402 | | |
| Han® PushPull protection cover IP 65 / IP 67 for cable side | 09 35 002 5411 | | |
| Han® PushPull L for Power 4/0 protection cover IP 65 / IP 67 for device side | 09 35 004 5401 | | |
| Han® PushPull coding pins for Power 4/0 for device and cable side | 09 35 000 6190 | | |