

With Han-Modular® Twin
Part-Number: 09 12 008 4760

Features Han-Power® T

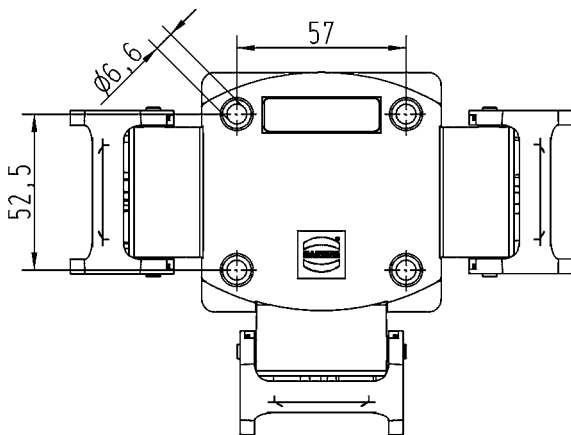
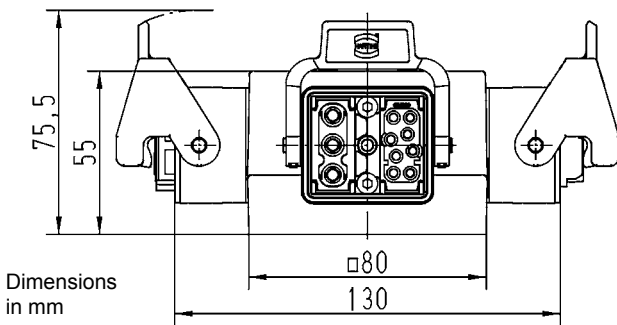
- 1 connection for mixed power input and output
- 1 T-connection to device
- 3 power contacts
- 4 signal contacts
- Metal hood
- Locking lever Han-Easy Lock®

Technical characteristics

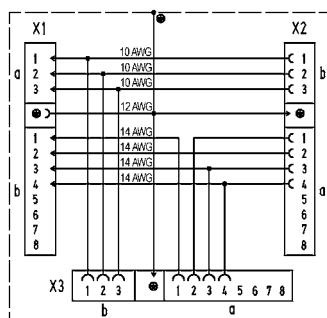
Han-Power® T Modular Twin hood

Rated voltage	400 V
Rated current	40 A
Number of contacts	3 power contacts + PE max. 6 mm ² 4 signal contacts max. 4.0 mm ²
Surface	powder coated RAL 7037
Sealing	NBR
Temperature range	-40 °C ... +125 °C
Protection degree acc. to DIN 60 529	IP 65

Han-Modular® Twin Hoods



Wiring diagram



Suitable inserts

Han® C module with crimp termination

Number of contacts	3
Electrical data acc. to DIN EN 61 984	40 A 400/690 V 6 kV 3
Rated current	40 A
Rated voltage	400 V
Conductor - Ground	690 V
Conductor - Conductor	6 kV
Rated impulse voltage	6 kV
Pollution degree	3

Han® EE module with crimp termination

Number of contacts	4
Electrical data acc. to DIN EN 61 984	16 A 400 V 6 kV 3
Rated current	16 A
Rated voltage	400 V
Rated impulse voltage	6 kV
Pollution degree	3
Material	Polycarbonate
Insulation resistance	≥ 10 ¹⁰ Ω
Temperature range	-40 °C ... +125 °C
Flammability acc. to UL 94	V 0
Mechanical working life	≥ mating cycles

For more Han-Modular® inserts see chapter 6 in the main catalogue of HARTING Electric GmbH & Co. KG