



Han® PushPull RJ45 Genderchanger metal
Cat. 6 / Class E

Advantages

- High degree of protection IP 65 / IP 67
- Robust metal housing
- Standard PROFINET component of the German automotive production

Application

- Allows usage of different cable types (Type B, C) e.g. in robots application
- Extension of cords according to PROFINET guideline

Identification

Part No.

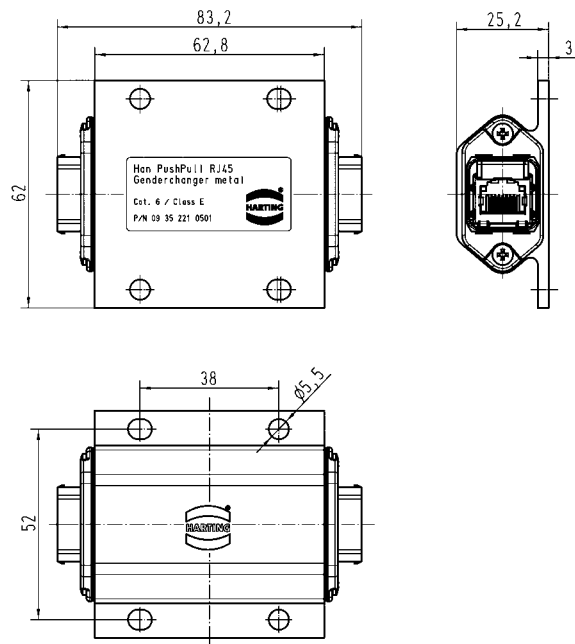
Drawing

Dimensions in mm

Han® PushPull RJ45
Genderchanger metal
including housing and printed board
with 2 x RJ45 jack



09 35 221 0501



Technical characteristics

Transmission performance	Cat. 6 / Class E up to 250 MHz
Connector	Han® PushPull RJ45 (PROFINET conform)
Locking	PushPull technology acc. to IEC/PAS 61076-3-117 Variant 14
Mating face	RJ45 acc. to IEC 60603-7
Mating cycles	min. 750
Housing material	Aluminium anodized
Dimensions	83.2 x 62 x 25.2 mm (unmated)
Degree of protection acc. to DIN 60529	IP 65 / IP 67 (mated)
Mounting	Wall mountable with 4 screws (type M5)
Temperature range	-20 °C ... +70 °C
Maximum permissible humidity	30 % ... 95 % (no condensation)



Han® PushPull L Power 4/0 Genderchanger metal

Advantages

- High degree of protection IP 65 / IP 67
- Robust metal housing
- Standard PROFINET component of the German automotive production

Application

- Allows usage of different cable types (Type B,C) e.g. in robots application
- Extension of cords according to PROFINET guideline

Identification

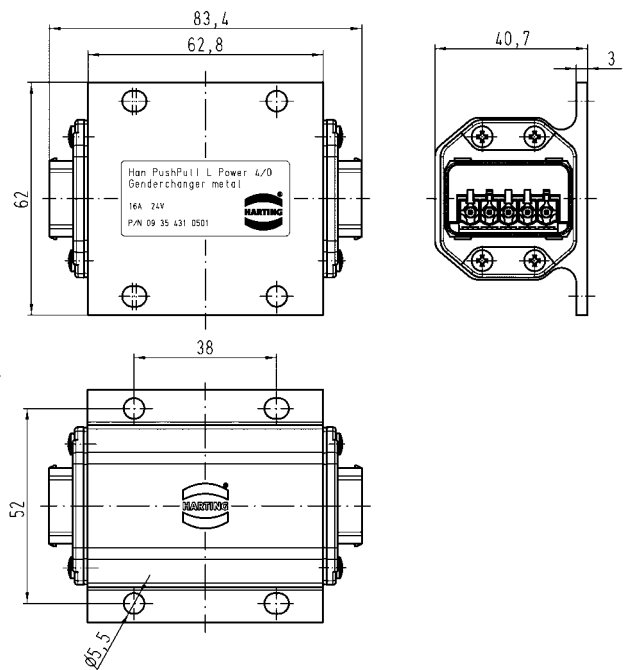
Part No.

Drawing

Dimensions in mm

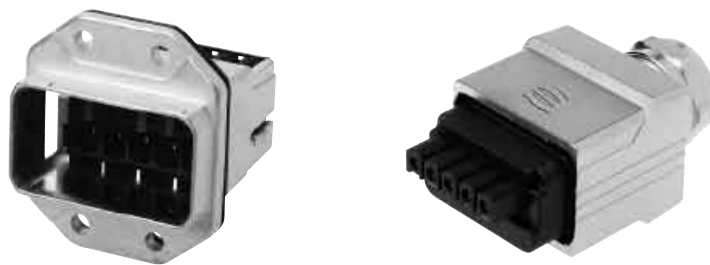
Han® PushPull L Power 4/0 Genderchanger metal including housing and printed board with 2 x male insert with solder termination

09 35 431 0501



Technical characteristics

Connector	Han® PushPull L Power 4/0
Locking	PushPull technology acc. to IEC/PAS 61 076-3-117
Electrical transmission	16 A / 24 V
Number of contacts	5
Mating cycles	min. 500
Housing material	Aluminium anodized
Dimensions	83.4 x 62 x 40.7 mm (unmated)
Degree of protection acc. to DIN 60529	IP 65 / IP 67 (mated)
Mounting	Wall mountable with 4 screws (type M5)
Temperature range	-20 °C ... +50 °C
Maximum permissible humidity	30 % ... 95 % (no condensation)



Connector, 5-poles, 24 V, 16 A

Features

- HARTING PushPull technology
- Touch-proof
- Cable side: female insert
- spring force connection
- Device side: male insert
- spring force connection
- AIDA-conform
(German Domestic Automobile Manufactures)

Technical characteristics

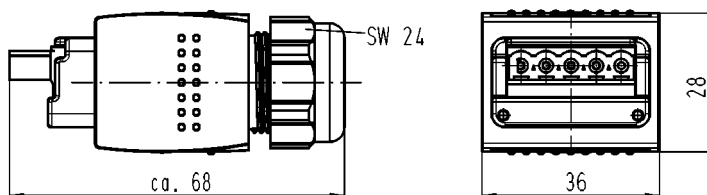
Locking	PushPull technology acc. to IEC/PAS 61076-3-117
Degree of protection	IP 65 / IP 67
Number of contacts	4 + PE
Electrical data acc. to DIN EN 61984	16 A, 24 V, 4 kV 3
Termination	Spring force connection
Termination cross section	0.75 ... 2.5 mm ²
Mating cycles	min. 500
Temperature range	-40 °C ... +70 °C
Cable diameter	9 – 13 mm
Housing material	Zinc die-cast, nickel plated

Identification Part No. Drawing Dimensions in mm

Connector set, metal
incl. housing
and female insert
with spring force connection

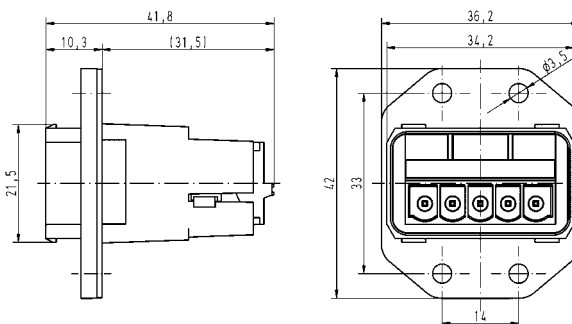


09 35 431 0401



Panel feed-through,
metal
incl. housing and male insert
with spring force connection

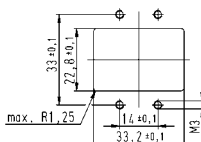
09 35 431 0311

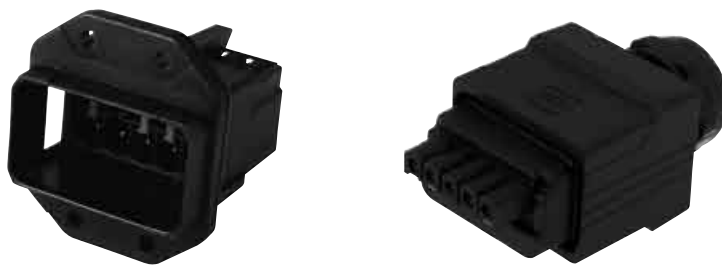


Protection cover IP 65 / IP 67
for device side

09 35 004 5401

Panel cut out





Connector, 5-poles, 24 V, 16 A

Features

- HARTING PushPull technology
- Touch-proof
- Cable side: female insert
- spring force connection
- Device side: male insert
- spring force connection
- AIDA-conform
(German Domestic Automobile Manufactures)

Technical characteristics

Locking	PushPull technology acc. to IEC/PAS 61076-3-117
Degree of protection	IP 65 / IP 67
Number of contacts	4 + PE
Electrical data acc. to DIN EN 61984	16 A, 24 V, 4 kV 3
Termination	Spring force connection
Termination cross section	0.75 ... 2.5 mm ²
Mating cycles	min. 500
Temperature range	-40 °C ... +70 °C
Cable diameter	9 – 13 mm
Housing material	Plastic, black
Flammability acc. to	UL 94 V0

Identification

Part No.

Drawing

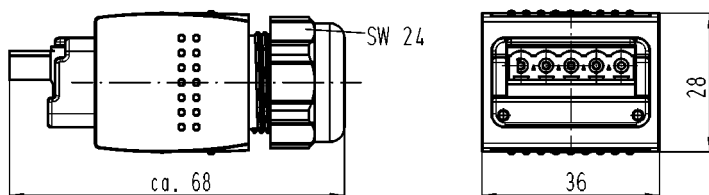
Dimensions in mm

Connector set, plastic

incl. housing and female insert with spring force connection



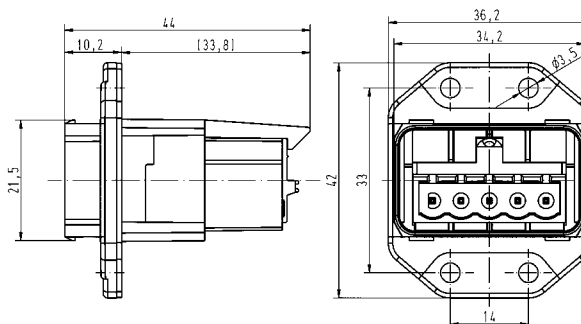
09 35 431 0421



Panel feed-through, plastic

incl. housing and male insert with spring force connection

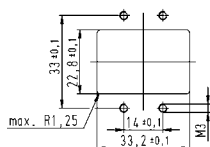
09 35 431 0331



Protection cover IP 65 / IP 67 for device side

09 35 004 5401

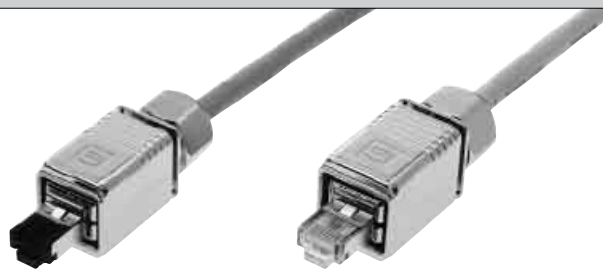
Panel cut out





Han® PushPull,
type acc. to IEC/PAS 61 076-3-117 variant 14
Accessories

Identification	Part No.	Drawing	Dimensions in mm
Han® PushPull protection cover IP 40 for device side	09 35 002 5401		
Han® PushPull protection cover IP 40 for cable side	09 35 002 5412		
Han® PushPull protection cover IP 65 / IP 67 for device side	09 35 002 5402		
Han® PushPull protection cover IP 65 / IP 67 for cable side	09 35 002 5411		
Han® PushPull L for Power 4/0 protection cover IP 65 / IP 67 for device side	09 35 004 5401		
Han® PushPull coding pins for Power 4/0 for device and cable side	09 35 000 6190		



HARTING PushPull Technology acc. to IEC 61 076-3-106 variant 4
RJ45 connector

Advantages

- Ethernet connector based on RJ45
- Fully shielded, 360° shielding contact
- Field-assembly connector with IDC contacts (Cat. 5 versions) or piercing contacts (Cat.6 versions)

Technical characteristics

Locking	PushPull Technology acc. to IEC 61 076-3-106 variant 4
Degree of protection	IP 65 / IP 67
Mating face	RJ45 acc. to IEC 60 603-7
Cable diameter	4.9 ... 8.6 mm
Termination cross section	
Cat. 5	AWG 24/7 ... AWG 22/7 (stranded) AWG 23/1 ... AWG 22/1 (solid)
Cat. 6	AWG 24/7 ... AWG 27/7 (stranded)
Mating cycles	min. 750
Temperature range	-40 °C up to +70 °C
Housing material	Zinc die cast
	UL approval

Identification

Part No.

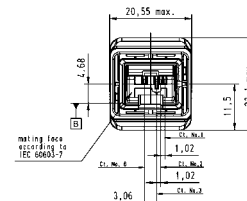
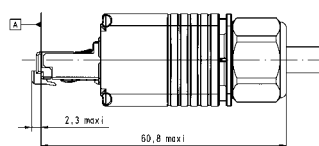
Drawing

Dimensions in mm

Connector, 4-poles
Cat. 5

incl. housing with RJ45 connector,
shielding and cable gland

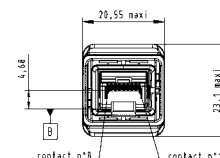
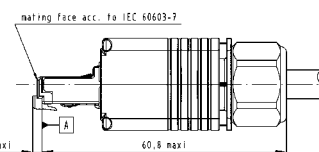
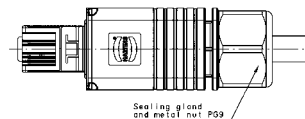
09 45 195 1100



Connector, 8-poles
Cat. 6

incl. housing with RJ45 connector,
shielding and cable gland

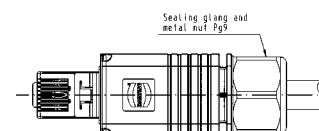
09 45 195 1500



Wire manager white

Wire manager blue

Reference note: for cat. 6 patch cords it is recommended to use 1 connector with a white wire manager and one with a blue cable manager, in order to optimise the crosstalk between different signal pairs.





HARTING PushPull Power 4/0, type acc. to IEC 61076-3-106 variant 4
connector 4-poles 48 V / 12 A

Advantages

- Power connectors for devices
- EasyInstall panel feed-through for simple device integration
- Compact, space-saving design
- Touch-proof according to IEC DIN EN 60529
- Polarisation with nose
- Cable side: Male with crimp termination
- 4 different coding variants without loss of contact

Technical characteristics

Locking	PushPull Technology acc. to IEC 61076-3-106 variant 4
Degree of protection	IP 65 / IP 67
Number of contacts	4
Electrical data acc. to EN 61984	12 A, 48 V, 1.5 kV 3
Cable diameter	4.9 ... 8.6 mm
Termination	Crimp
Termination cross section	0.75 - 2.5 mm ² (AWG 20 - 12) stranded
Mating cycles	min. 750
Temperature range	-40 °C up to +70 °C
Housing material	Zinc die cast

Identification

Part No.

Drawing

Dimensions in mm

Connector set

incl. 4 turned crimp contacts (male), insulation, housing, cable gland

09 46 195 4400

Accessories – crimp contacts male

0.75 mm² (AWG 20 - 18)

09 46 500 0403

1.5 mm² (AWG 16 - 14)

09 46 500 0401

2.5 mm² (AWG 12)

09 46 500 0405

Accessories – coding pin set

To avoid accidental incorrect mating a coding system is required. This coding pins are inserted without loss of contact.

09 46 840 0000

Accessories – protection cover IP 65 / IP 67 for connector with cord

09 45 845 0010

for device side with cord

09 45 845 0009

Accessories – transport protection IP40 for housing bulkhead mounting, rubber

09 45 845 0003

