

## Features

- Compatible to all Han® M hoods
- Locking lever system with metal levers made of stainless steel
- Degree of protection IP66 and IP67
- Protective collar prevents sliding of the seal
- Fields of application: outside of machines and vehicles

## Technical Characteristics

Han® standard housings  
Metal housings

Material	aluminium die-cast
Colour	RAL 9005 (black)
Surface	powder-coated
Locking element	stainless steel
Lever type	metal lever
Housings seal	FKM
Limiting temperatures	-40 °C ... +125 °C
Degree of protection acc. to DIN EN 60529 for coupled connector	IP66 / IP67

Identification

Part number

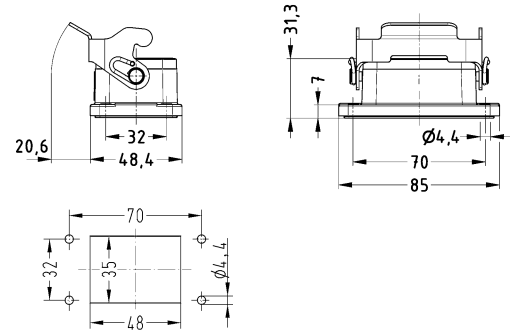
Drawing

Dimensions in mm

Bulkhead mounted housing 6 B



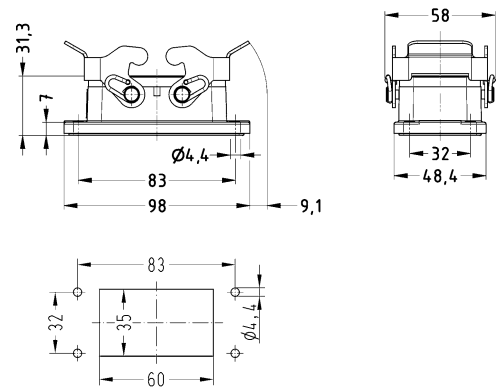
09 37 006 1301



Bulkhead mounted housing 10 B



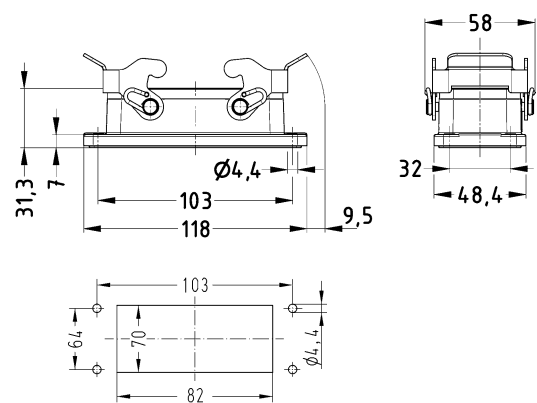
09 37 010 1301



Bulkhead mounted housing 16 B



09 37 016 1301



Bulkhead mounted housing 24 B



09 37 024 1301

