

Number of contacts

# 4

Female




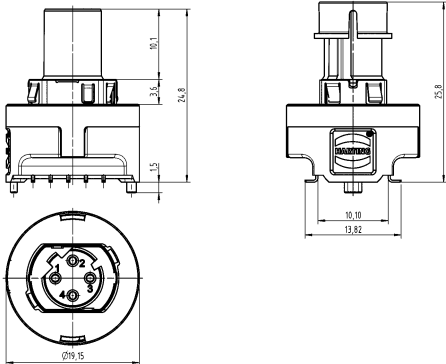

Circular

## Technical characteristics


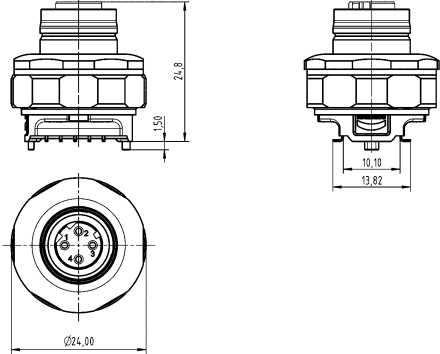

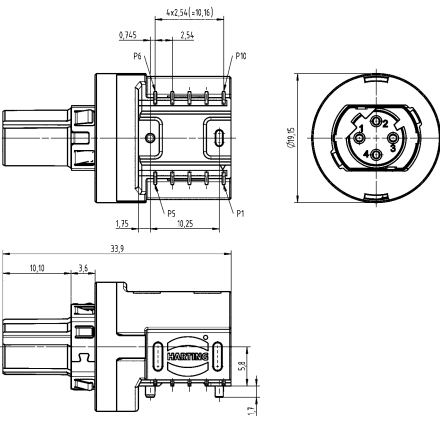

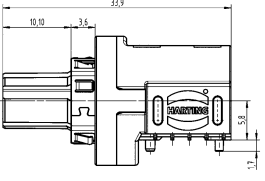
Number of contacts	4
Rated current	3 A
Rated voltage	57 V
Rated impulse voltage	1.5 kV
Pollution degree	3
Insulation resistance	$\geq 10^8 \Omega$


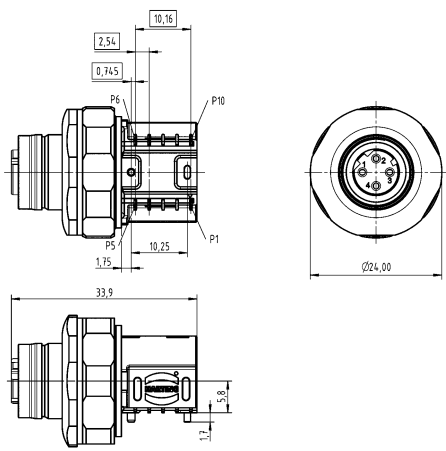
## Technical characteristics

Contact resistance	$\leq 10 \text{ m}\Omega$
Mating cycles	$\geq 100$
Transmission characteristics	Cat. 5, Class D up to 100 MHz
Data rate	100 Mbit/s
Material (insert)	LCP
Material (contacts)	Brass
RoHS	compliant with exemption

Identification	Part number	Drawing (dimensions in mm)
<p>Circular connectors M12, PCB connector, Straight, Reflow soldering termination (SMT), Shielded, Female, Pack contents: Packaging unit: 60 pieces Contact surface: Au over Ni</p> 	21 03 381 2410	
<p>Circular connectors M12, PCB connector, Straight, PoE enabled, Reflow soldering termination (SMT), Shielded, Female, Pack contents: Packaging unit: 60 pieces Contact surface: Au over Ni</p> 	21 03 381 2411	

Circular

Identification	Part number	Drawing (dimensions in mm)
<p>Circular connectors M12, PCB connector, Straight, PoE enabled, Reflow soldering termination (SMT), Shielded, Female,</p> <p>Pack contents: Packaging: 1 piece incl. housing</p> <p>Contact surface: Au over Ni</p> 	<p>21 03 381 2421</p>	
<p>Circular connectors M12, PCB connector, Angled, Reflow soldering termination (SMT), Shielded, Female,</p> <p>Pack contents: Packaging unit: 30 pieces</p> <p>Contact surface: Au over Ni</p> 	<p>21 03 381 4420</p>	
<p>Circular connectors M12, PCB connector, Angled, PoE enabled, Reflow soldering termination (SMT), Shielded, Female,</p> <p>Pack contents: Packaging unit: 30 pieces</p> <p>Contact surface: Au over Ni</p> 	<p>21 03 381 4421</p>	

Identification	Part number	Drawing (dimensions in mm)
<p>Circular connectors M12, PCB connector, Angled, PoE enabled, Reflow soldering termination (SMT), Shielded, Female,</p> <p>Pack contents: Packaging: 1 piece incl. housing</p> <p>Contact surface: Au over Ni</p> 	<p>21 03 381 4422</p>	

Circular

Number of contacts

# 8

Female



Circular

## Technical characteristics

Number of contacts	8
Rated current	0.8 A
Rated voltage	57 V
Rated impulse voltage	1.5 kV
Pollution degree	3
Insulation resistance	$\geq 10^8 \Omega$

## Technical characteristics

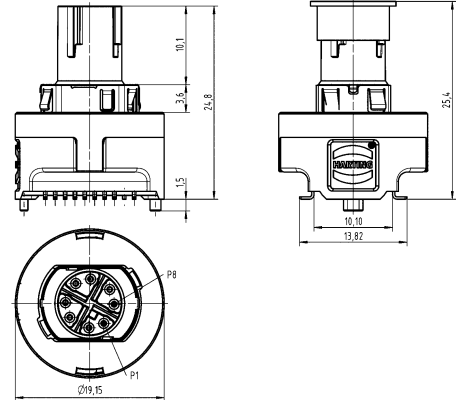
Contact resistance	$\leq 10 \text{ m}\Omega$
Mating cycles	$\geq 100$
Transmission characteristics	Cat. 6 <sub>A</sub> , Class E <sub>A</sub> up to 500 MHz
Data rate	1 Gbit/s
Material (insert)	LCP
Material (contacts)	Brass
RoHS	compliant with exemption

Identification	Part number	Drawing (dimensions in mm)
----------------	-------------	-------------------------------

Circular connectors M12,  
PCB connector,  
Straight,  
Reflow soldering termination (SMT),  
Shielded,  
Female,  
Pack contents:  
Packaging unit: 60 pieces  
Contact surface:  
Au over Ni




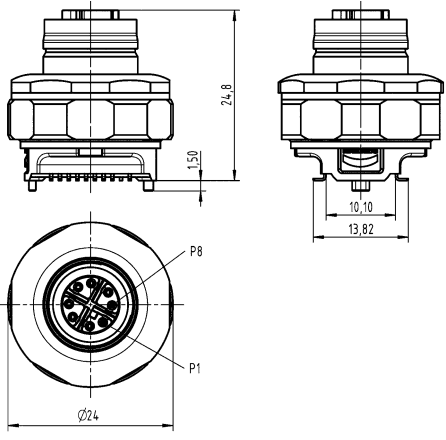

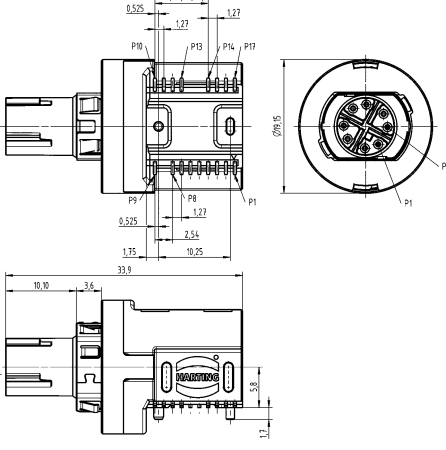


21 03 381 2815



Circular connectors M12,  
PCB connector,  
Straight,  
PoE enabled,  
Reflow soldering termination (SMT),  
Shielded,  
Female,  
Pack contents:  
Packaging unit: 60 pieces  
Contact surface:  
Au over Ni



21 03 381 2817

Identification	Part number	Drawing (dimensions in mm)
<p>Circular connectors M12, PCB connector, Straight, PoE enabled, Reflow soldering termination (SMT), Shielded, Female,</p> <p>Pack contents: Packaging: 1 piece incl. housing</p> <p>Contact surface: Au over Ni</p> 	<p>21 03 381 2824</p>	
<p>Circular connectors M12, PCB connector, Angled, Reflow soldering termination (SMT), Shielded, Female,</p> <p>Pack contents: Packaging unit: 30 pieces</p> <p>Contact surface: Au over Ni</p> 	<p>21 03 381 4820</p>	
<p>Circular connectors M12, PCB connector, Angled, PoE enabled, Reflow soldering termination (SMT), Shielded, Female,</p> <p>Pack contents: Packaging unit: 30 pieces</p> <p>Contact surface: Au over Ni</p> 	<p>21 03 381 4822</p>	

Circular

Circular

Identification

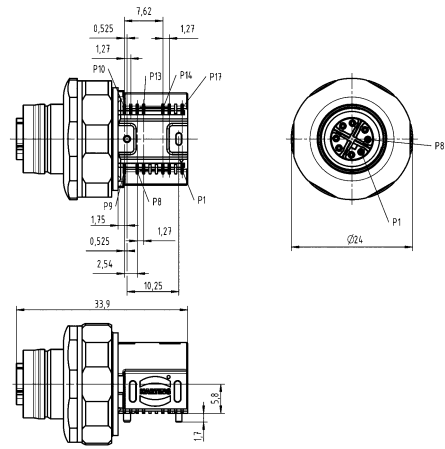
Circular connectors M12,  
 PCB connector,  
 Angled,  
 PoE enabled,  
 Reflow soldering termination (SMT),  
 Shielded,  
 Female,  
 Pack contents:  
 Packaging: 1 piece incl. housing  
 Contact surface:  
 Au over Ni



Part number

21 03 381 4826

Drawing  
 (dimensions in mm)



Number of contacts

# 8

Female




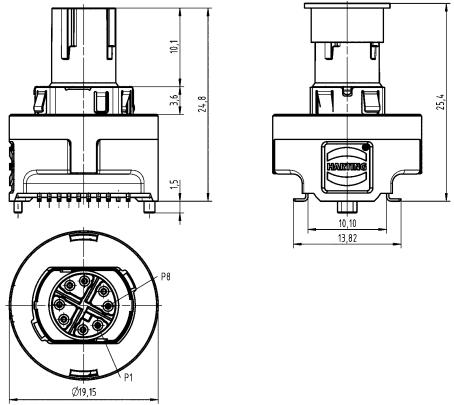

Circular

## Technical characteristics

Number of contacts	8
Rated current	0.8 A
Rated voltage	57 V
Rated impulse voltage	1.5 kV
Pollution degree	3
Insulation resistance	$\geq 10^8 \Omega$

## Technical characteristics

Contact resistance	$\leq 10 \text{ m}\Omega$
Mating cycles	$\geq 100$
Transmission characteristics	Cat. 6 <sub>A</sub> , Class E <sub>A</sub> up to 500 MHz
Data rate	10 Gbit/s
Material (insert)	LCP
Material (contacts)	Brass
RoHS	compliant with exemption

Identification	Part number	Drawing (dimensions in mm)
<p>Circular connectors M12, PCB connector, Straight, Reflow soldering termination (SMT), Shielded, Female, Pack contents: Packaging unit: 60 pieces Contact surface: Au over Ni</p> 	21 03 381 2818	
<p>Circular connectors M12, PCB connector, Straight, PoE enabled, Reflow soldering termination (SMT), Shielded, Female, Pack contents: Packaging unit: 60 pieces Contact surface: Au over Ni</p> 	21 03 381 2823	

Circular

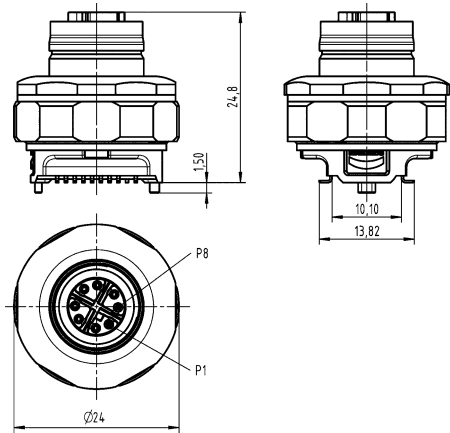
Identification

Part number

Drawing  
(dimensions in mm)

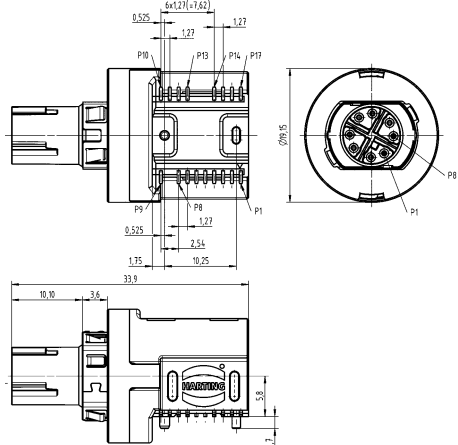
Circular connectors M12,  
PCB connector,  
Straight,  
PoE enabled,  
Reflow soldering termination (SMT),  
Shielded,  
Female,  
Pack contents:  
Packaging: 1 piece incl. housing  
Contact surface:  
Au over Ni

21 03 381 2825



Circular connectors M12,  
PCB connector,  
Angled,  
Reflow soldering termination (SMT),  
Shielded,  
Female,  
Pack contents:  
Packaging unit: 30 pieces  
Contact surface:  
Au over Ni

21 03 381 4823



Circular connectors M12,  
PCB connector,  
Angled,  
PoE enabled,  
Reflow soldering termination (SMT),  
Shielded,  
Female,  
Pack contents:  
Packaging unit: 30 pieces  
Contact surface:  
Au over Ni

21 03 381 4825



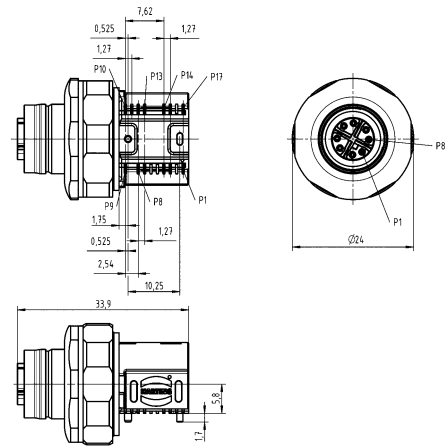


Identification	Part number	Drawing (dimensions in mm)
----------------	-------------	-------------------------------

Circular connectors M12,  
 PCB connector,  
 Angled,  
 PoE enabled,  
 Reflow soldering termination (SMT),  
 Shielded,  
 Female,  
 Pack contents:  
 Packaging: 1 piece incl. housing  
 Contact surface:  
 Au over Ni



21 03 381 4827



Circu-  
lar

# M12 Transformer



Female

Circular



## Technical characteristics

Material (accessories) Brass, nickel plated

## Technical characteristics

RoHS compliant with exemption

Identification

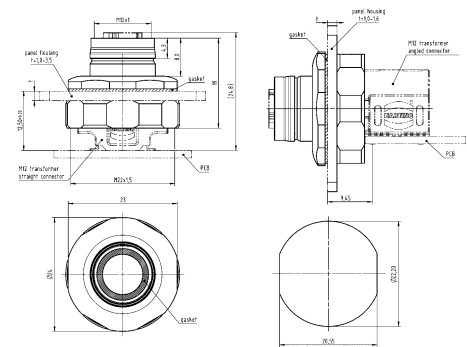
Part number

Drawing (dimensions in mm)

Housing, for front mounting, Female,  
Pack contents:  
Packaging unit: 30 pieces



21 03 301 2006

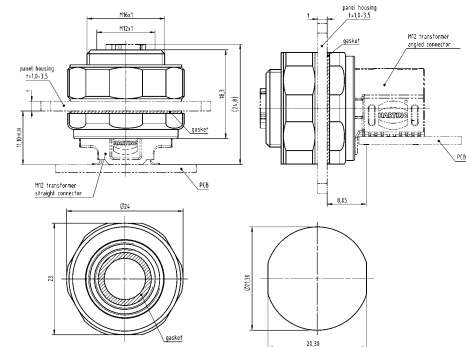


Panel cut out

Housing, for rear mounting, Female,  
Pack contents:  
Packaging unit: 30 pieces



21 03 301 2007



Panel cut out