

Mode-3 – Charging Cable



Specification

Charging Cable Mode-3 –
GB/T – GB/T

Product Definition

Charging standard	GB/T
Standards / regulations	GB/T 20234.2-2015 GB/T 18487.1-2015
Approval	CQC
Country approval	On request
Confection line end	On request

Dimensions Charging Connector

Width	63 mm
Height	113 mm
Depth	222 mm
Conductor length	On request

Ambient Conditions

Ambient temperature (operation)	-30°C ... +50°C
Ambient temperature (storage/transport)	-40°C ... +80°C
Max. altitude	5.000 m (above sea level)
Degree of protection (plugged)	IP44
Degree of protection (protective cap)	IP44



Electrical Properties

Number of phases	1		3	
Rated voltage for power contacts	250 V AC		440 V AC	
Rated current for power contacts	16 A	32 A	16 A	32 A
Charging power	4 kW	8 kW	12,2 kW	24,4 kW
Number of power contacts	3 (L1, N, PE)		5 (L1, L2, L3, N, PE)	
Rated voltage for signal contacts	30 V AC			
Rated current for signal contacts	2 A			
Number of signal contacts	2 (CP, PP)			
Note on the connection method	Crimp termination (cannot be disconnected)			

Mechanical Properties

Mating cycles	> 10.000
Insertion force	< 100 N
Withdrawal	< 100 N

Design

Color housing / handle area	black
Color mating face	black
Color protective cap	black
Housing with customer logo	On request

Material

Material housing / handle area	Plastic
Material mating face	Plastic
Material protective cap	Soft plastic
Flammability rating	V0
Material contacts	Cu-Alloy
Material surface of contacts	Ag



Cable

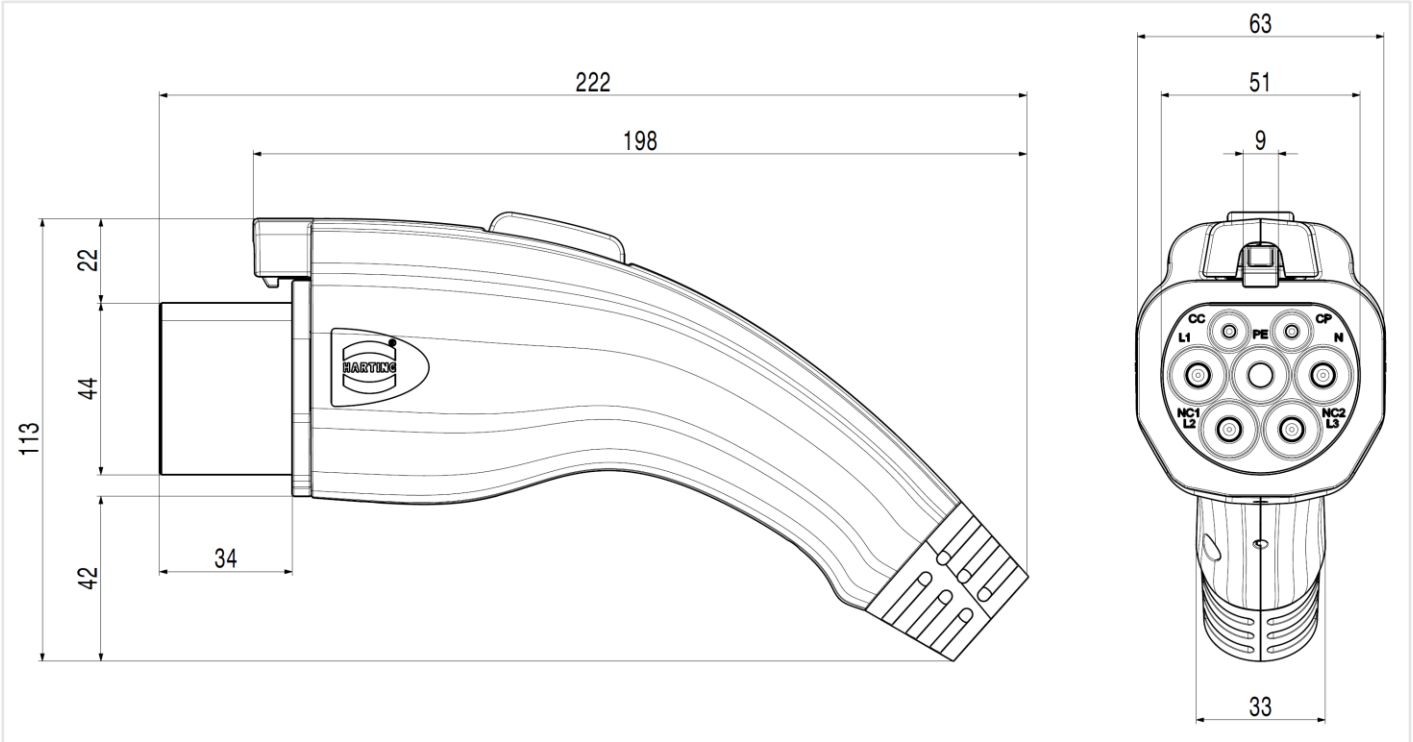
Cable structure	1 phase		3 phases	
	16 A	32 A	16 A	32 A
	3 x 2,5 mm ² + 0,5 mm ²	3 x 6,0 mm ² + 0,5 mm ²	5 x 2,5 mm ² + 0,5 mm ²	5 x 6,0 mm ² + 0,5 mm ²
Cable diameter	10,2 ± 0,3 mm	12,8 ± 0,4 mm	12,8 ± 0,4 mm	16,5 ± 0,3 mm
Cable resistance at 20°C (2,5 mm ²)	≤ 7,98 Ω/km			
Cable resistance at 20°C (6,0 mm ²)	≤ 3,3 Ω/km			
Cable resistance at 20°C (0,5 mm ²)	≤ 39,0 Ω/km			
Wiring standard	IEC 62893			
Type of conductor	Straight			
Outer sheath, material	TPE-U			
Outer sheath, color	On request			
Minimum bending radius	9 x cable diameter			
Specification vehicle side	GB/T charging connector			
Specification infrastructure side	GB/T charging connector			

Environmental Product Compliance

REACH SVHC	Lead CAS 7439-92-1
China RoHS	Environmentally Friendly Use Period: 50 years

Drawings

Dimensional drawing



Pin assignment of the vehicle connector

