

Mode-3 – Charging Cable



Specification

Charging Cable Mode-3 –
Type-2 – Type-2

Product Definition

Charging standard	Typ-2
Standards / regulations	IEC 62196-2
Approval	On request
Country approval	On request

Dimensions Charging Connector

Width	70 mm
Height	110 mm
Depth	200 mm
Conductor length	On request

Ambient Conditions

Ambient temperature (operation)	-30°C ... +50°C
Ambient temperature (storage/transport)	-40°C ... +80°C
Max. altitude	5.000 m (above sea level)
Degree of protection (plugged)	IP44
Degree of protection (protective cap)	IP44



Electrical Properties

Number of phases	3	
Rated voltage for power contacts	480 V AC	
Rated current for power contacts	20 A	32 A
Charging power	11 kW	22 kW
Maximum charging power	16,6 kW	26,6 kW
Resistor coding (between PE and PP)	680 Ω	220 Ω
Number of power contacts	5 (L1, L2, L3, N, PE)	
Rated voltage for signal contacts	30 V AC	
Rated current for signal contacts	2 A	
Number of signal contacts	2 (CP, PP)	
Note on the connection method	Crimp termination (cannot be disconnected)	

Mechanical Properties

Mating cycles	> 10.000
Insertion force	< 100 N
Withdrawal	< 100 N

Design

Color housing / handle area	black
Color mating face	black
Color protective cap	black
Housing with customer logo	On request

Material

Material housing / handle area	Plastic
Material mating face	Plastic
Material protective cap	Soft plastic
Flammability rating	V0
Material contacts	Cu-Alloy
Material surface of contacts	Ag



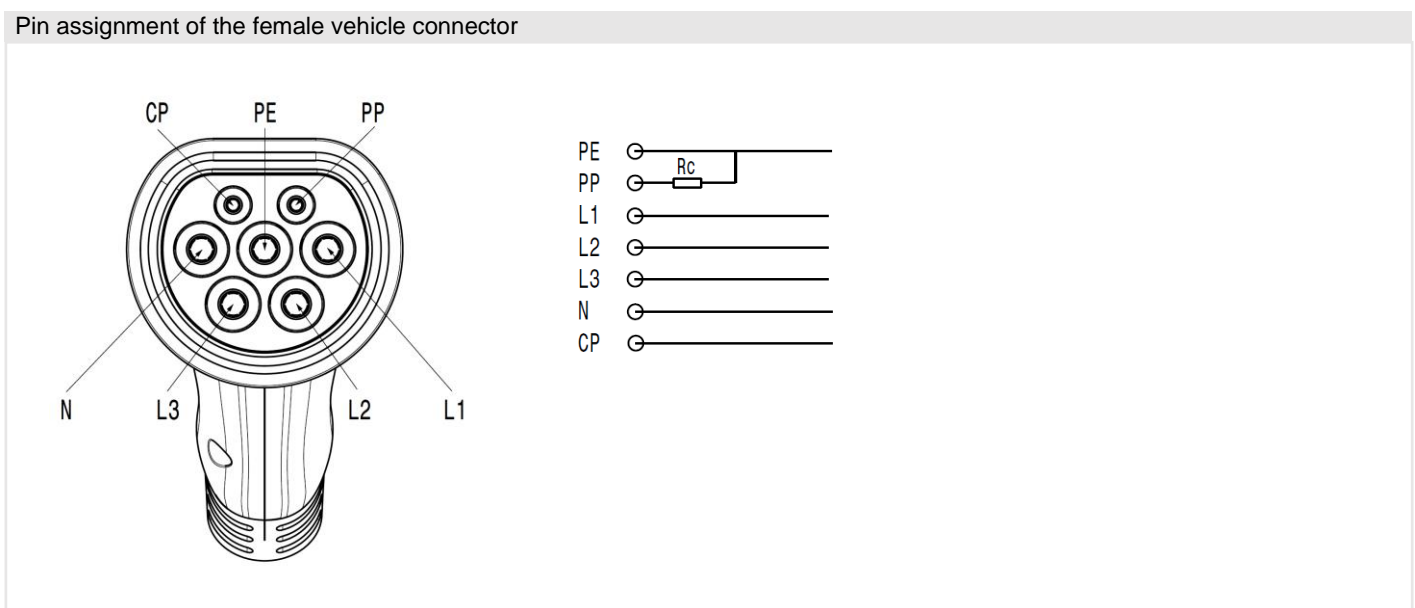
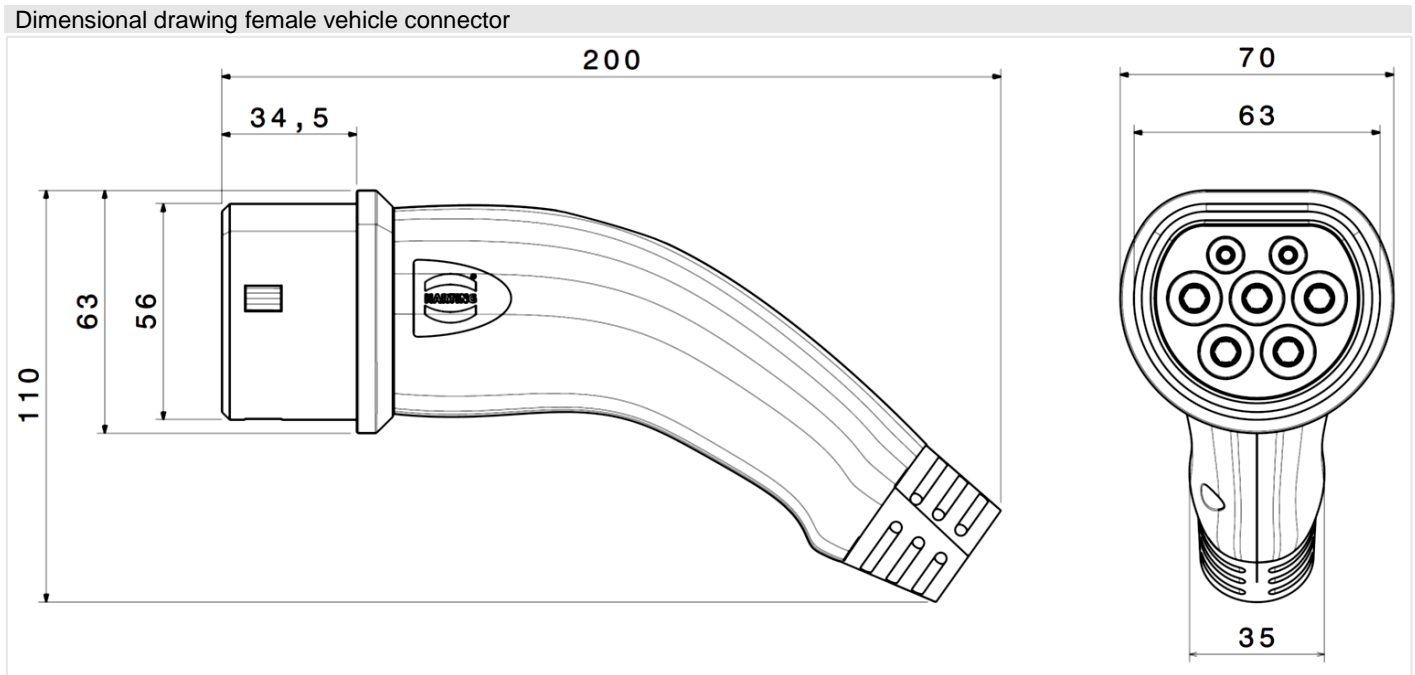
Cable

Cable structure	3 phases	
	20 A	32 A
	5 x 2,5 mm ² + 0,5 mm ²	5 x 6,0 mm ² + 0,5 mm ²
Cable diameter	12,8 ± 0,4 mm	16,5 ± 0,3 mm
Cable resistance at 20°C (2,5 mm ²)	≤ 7,98 Ω/km	
Cable resistance at 20°C (6,0 mm ²)	≤ 3,3 Ω/km	
Cable resistance at 20°C (0,5 mm ²)	≤ 39,0 Ω/km	
Wiring standard	IEC 62893	
Type of conductor	spiralized, more types on request	
Outer sheath, material	TPE-U	
Outer sheath, color	On request	
Minimum bending radius	5000 mm	
Specification vehicle side	Type-2 charging connector	
Specification infrastructure side	Type-2 charging connector	

Environmental Product Compliance

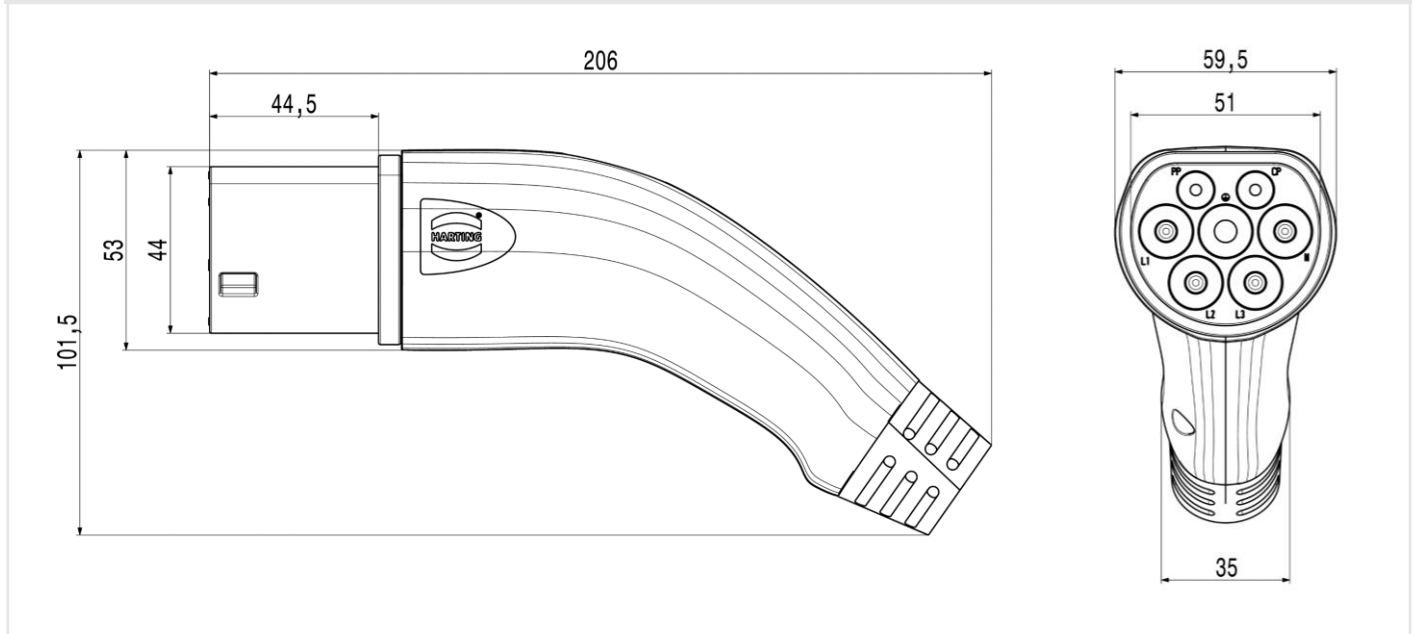
REACH SVHC	Lead CAS 7439-92-1
China RoHS	Environmentally Friendly Use Period: 50 years

Drawings



Drawings

Dimensional drawing male vehicle connector



Pin assignment of the male vehicle connector

