

## GB/T – Charging Cable



Specification

GB/T – Charging Connector +  
Charging Cable

### Product Definition

Charging standard	GB/T
Standards / regulations	GB/T 20234.2-2015 GB/T 18487.1-2015
Approval	CQC
Country approval	On request
Confection line end	On request

### Dimensions Charging Connector

Width	63 mm
Height	113 mm
Depth	222 mm
Conductor length	On request

### Ambient Conditions

Ambient temperature (operation)	-30°C ... +50°C
Ambient temperature (storage/transport)	-40°C ... +80°C
Max. altitude	5.000 m (above sea level)
Degree of protection (plugged)	IP44
Degree of protection (protective cap)	IP44



## Electrical Properties

Number of phases	1		3	
Rated voltage for power contacts	250 V AC		440 V AC	
Rated current for power contacts	16 A	32 A	16 A	32 A
Charging power	4 kW	8 kW	12,2 kW	24,4 kW
Number of power contacts	3 (L1, N, PE)		5 (L1, L2, L3, N, PE)	
Rated voltage for signal contacts	30 V AC			
Rated current for signal contacts	2 A			
Number of signal contacts	2 (CP, PP)			
Note on the connection method	Crimp termination (cannot be disconnected)			

## Mechanical Properties

Mating cycles	> 10.000
Insertion force	< 100 N
Withdrawal	< 100 N

## Design

Colour housing / handle area	black
Colour mating face	black
Colour protective cap	black
Housing with customer logo	On request

## Material

Material housing / handle area	Plastic
Material mating face	Plastic
Material protective cap	Soft plastic
Flammability rating	V0
Material contacts	Cu-Alloy
Material surface of contacts	Ag



## Cable

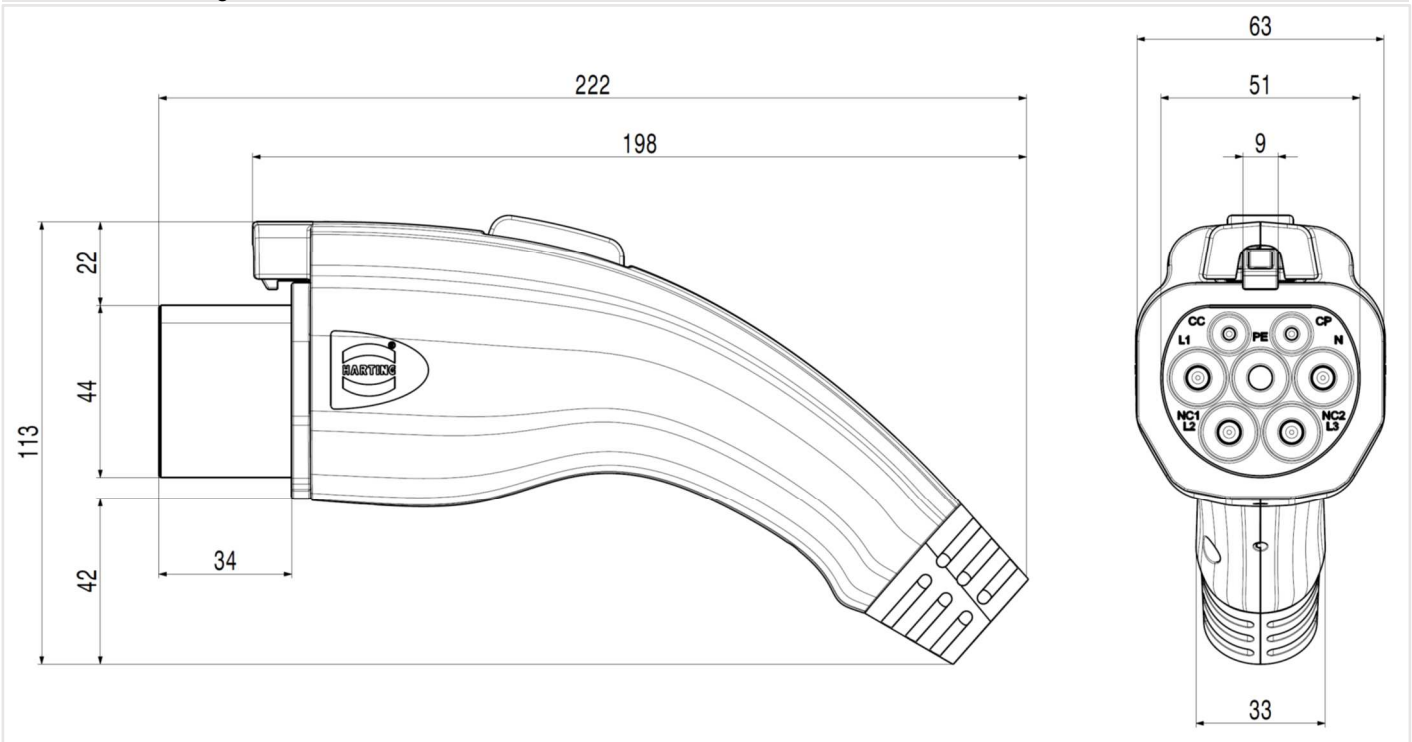
Cable structure	1 phase		3 phases	
	16 A	32 A	16 A	32 A
	3 x 2,5 mm <sup>2</sup> + 0,5 mm <sup>2</sup>	3 x 6,0 mm <sup>2</sup> + 0,5 mm <sup>2</sup>	5 x 2,5 mm <sup>2</sup> + 0,5 mm <sup>2</sup>	5 x 6,0 mm <sup>2</sup> + 0,5 mm <sup>2</sup>
Cable diameter	10,2 ± 0,3 mm	12,8 ± 0,4 mm	12,8 ± 0,4 mm	16,5 ± 0,3 mm
Cable resistance at 20°C (2,5 mm <sup>2</sup> )	≤ 7,98 Ω/km			
Cable resistance at 20°C (6,0 mm <sup>2</sup> )	≤ 3,3 Ω/km			
Cable resistance at 20°C (0,5 mm <sup>2</sup> )	≤ 39,0 Ω/km			
Wiring standard	IEC 62893			
Type of conductor	Straight			
Outer sheath, material	TPE-U			
Outer sheath, colour	On request			
Minimum bending radius	9 x cable diameter			

## Environmental Product Compliance

REACH SVHC	Lead   CAS 7439-92-1
China RoHS	Environmentally Friendly Use Period: 50 years

## Drawings

### Dimensional drawing



### Pin assignment of the vehicle connector

